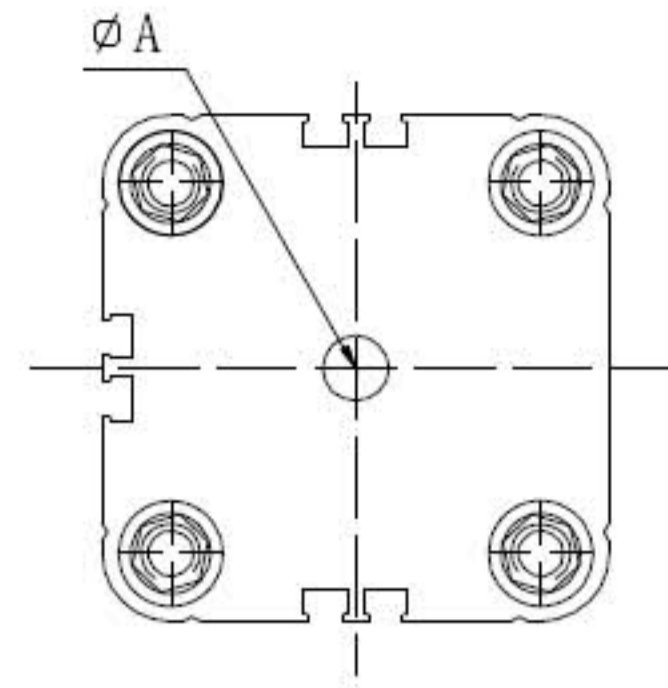
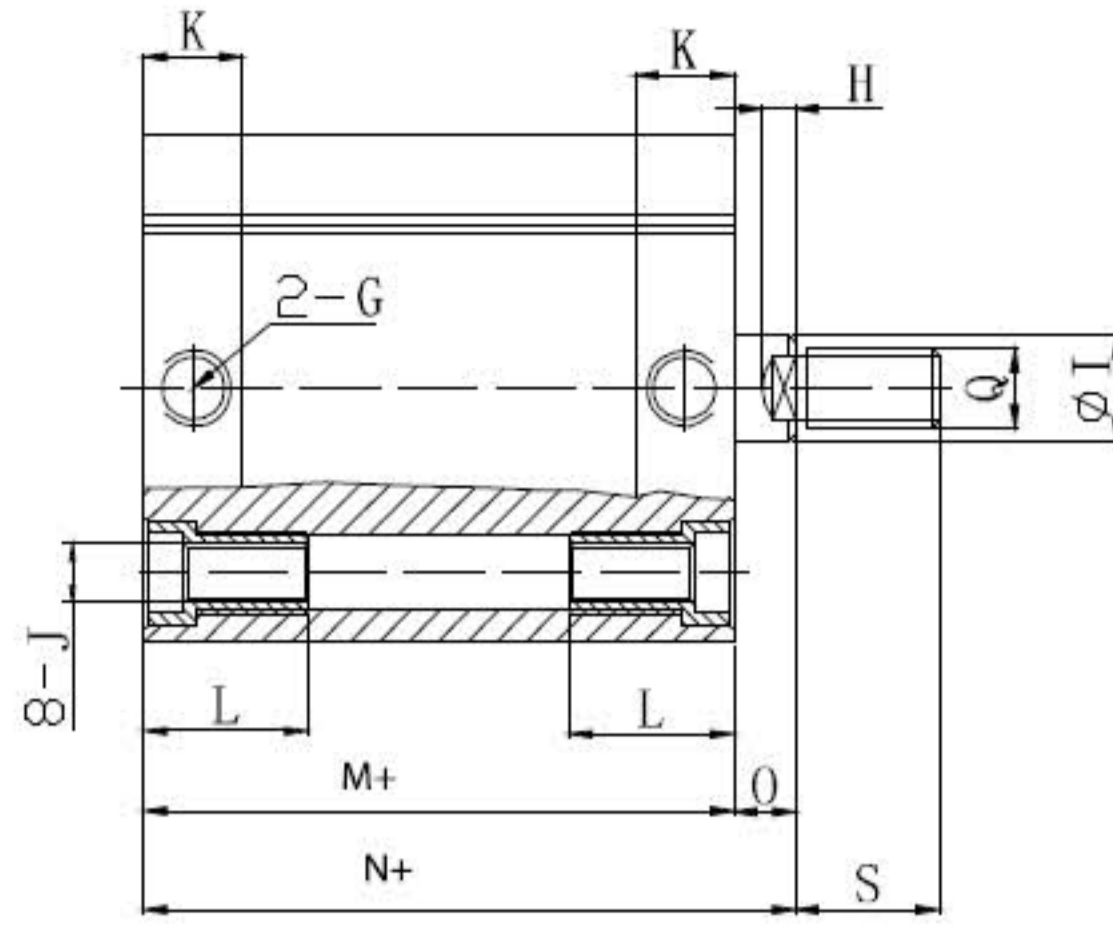
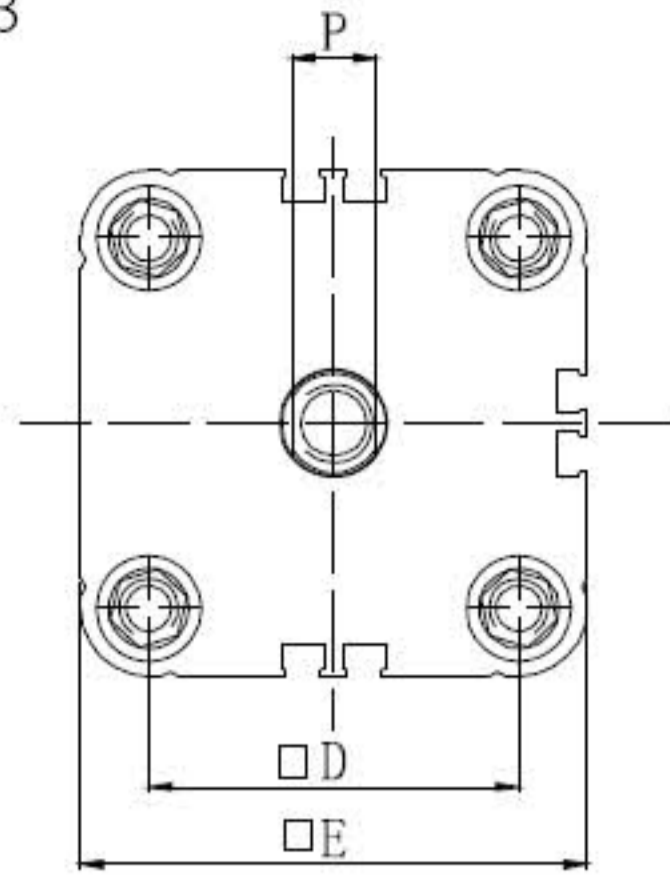
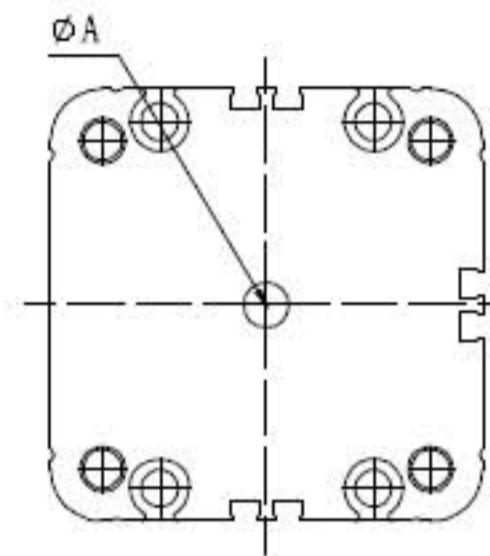
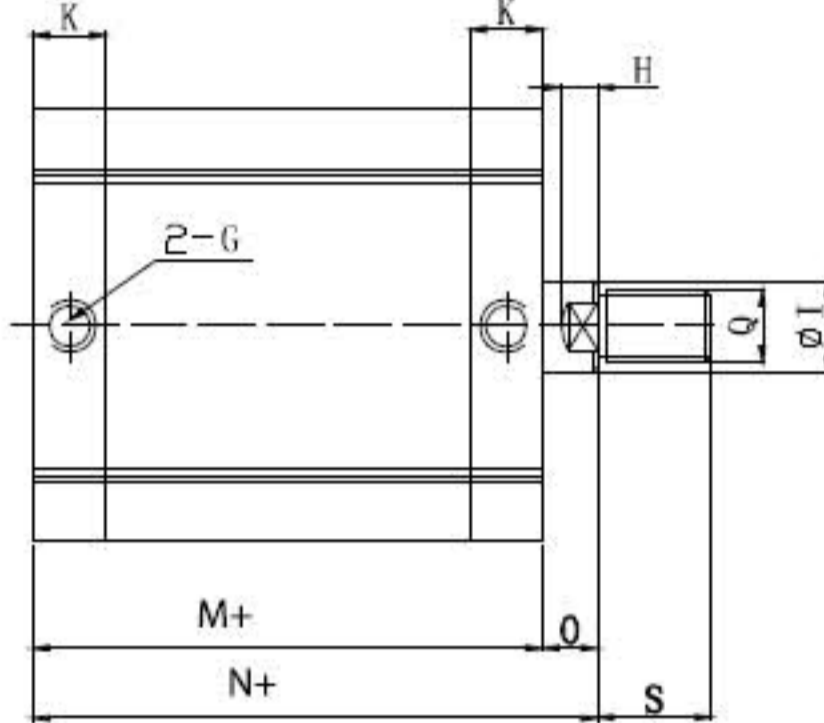
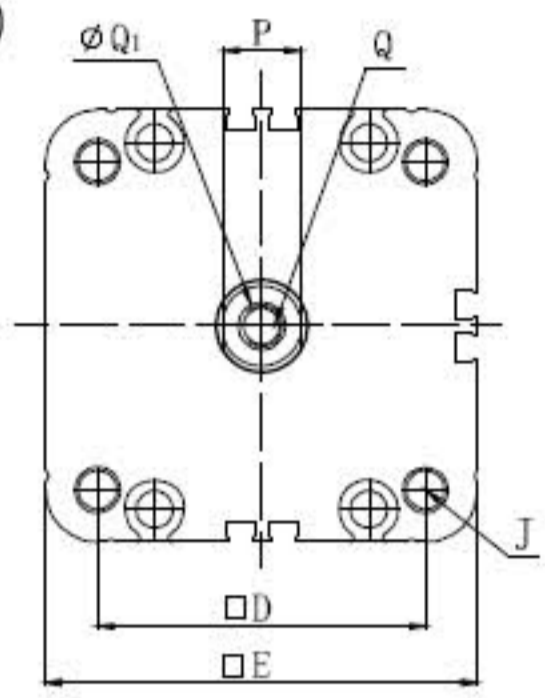


Siłowniki z gwintem zewnętrznym na tłoczysku

∅ 32-63



∅ 80-100

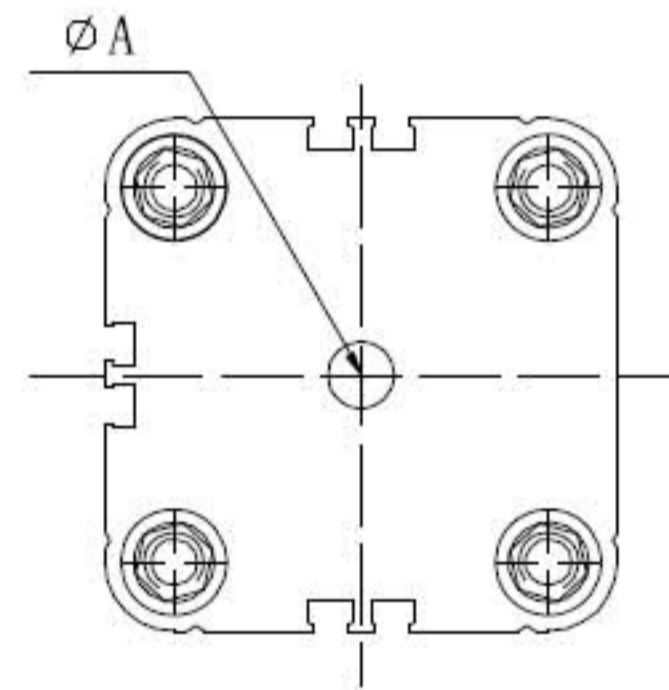
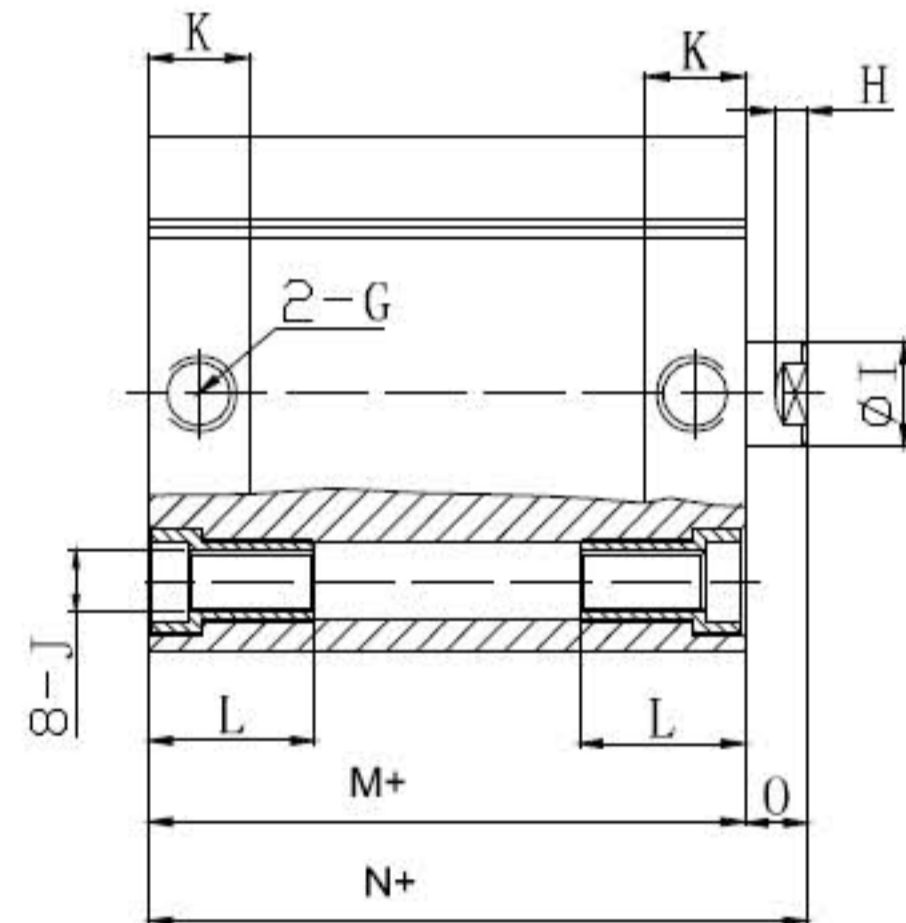
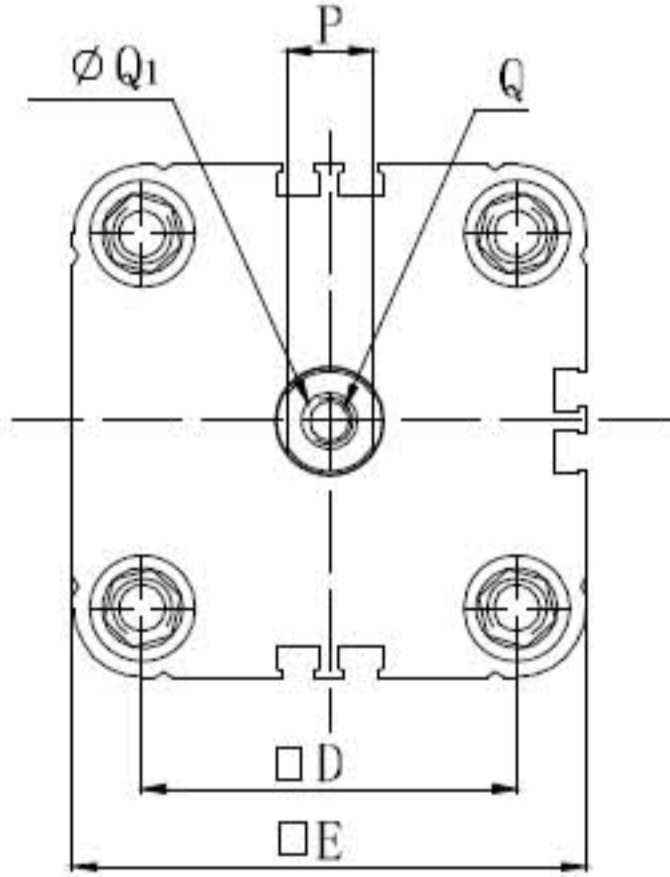


+ = dodać skok

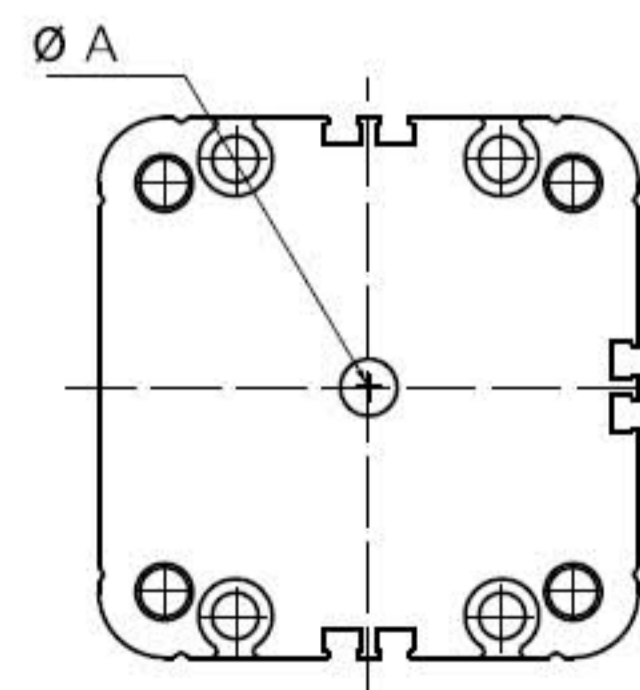
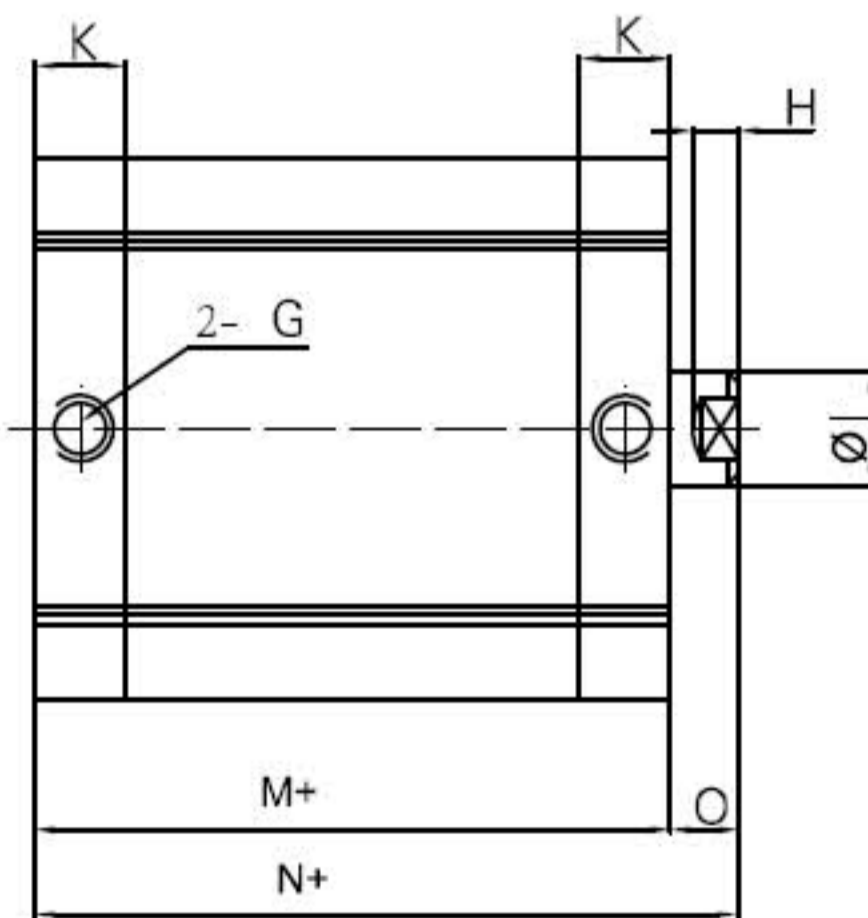
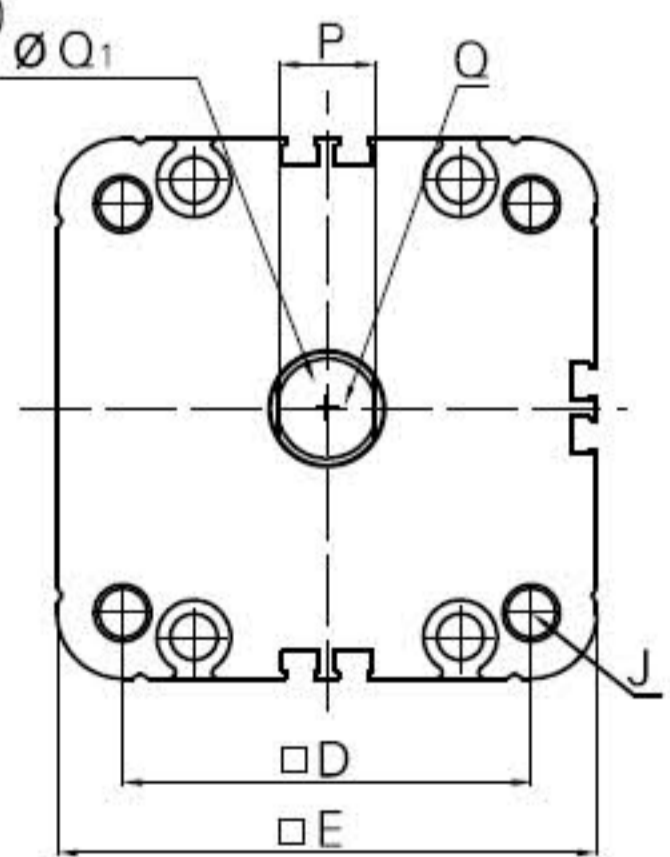
Średnica tłoka	A	B	D	E	G	H	∅l	J	K	L	M	N	O	P	Q	S
32	6	4	32.5	46.5	G1/8	4.5	12	M6	13.5	25	44.5	51	6.5	10	M10X1.25	19
40	8	5	38	54	G1/8	4.5	12	M6	13.5	25	45.5	52	6.5	10	M10X1.25	19
50	10	5	46.5	64.5	G1/8	5	16	M8	13.5	25	45.5	53	7.5	13	M12X1.25	22
63	10	5	56.5	77	G1/8	5	16	M8	15	25	50	57.5	7.5	13	M12X1.25	22
80	10	5	72	95	G1/8	8	20	M10	16	19	55	65	10	17	M16X1.25	28
100	10	5	89	115	G1/4	10	25	M10	19	19	67	77	10	22	M16X1.25	28

Siłowniki z gwintem wewnętrznym na tłoczysku

∅ 32-63



∅ 80-100



+ = dodać skok

Średnica tłoka	A	B	D	E	G	H	∅l	J	K	L	M	N	O	P	Q	Q1	R	R1
32	6	4	32.5	46.5	G1/8	4.5	12	M6	13.5	25	44.5	51	6.5	10	M8	6.5	14	2.5
40	8	5	38	54	G1/8	4.5	12	M6	13.5	25	45.5	52	6.5	10	M8	6.5	14	2.5
50	10	5	46.5	64.5	G1/8	5	16	M8	13.5	25	45.5	53	7.5	13	M10	8.5	16	3.5
63	10	5	56.5	77	G1/8	5	16	M8	15	25	50	57.5	7.5	13	M10	8.5	16	3.5
80	10	5	72	95	G1/8	8	20	M10	16	19	55	65	10	17	M12	10.5	20	4.5
100	10	5	89	115	G1/4	10	25	M10	19	19	67	77	10	22	M12	12.5	24	6