

Valves and Solenoid valves Series E

5/2-way monostable/bistable - 5/3 CC CO CP

With outlets on the body - For individual or manifold assembly

Size 10,5 mm

2

CONTROL



Series E valves have been designed to allow high flows with small overall dimensions. These valves are manufactured in three different sizes and are suitable for individual use or for mounting on manifolds.

The manifolds allow a common inlet as well as the two exhausts and the pilot exhaust in common.

GENERAL DATA

Construction	spool-type
Valve functions	5/2, 5/3 CC CO CP
Materials	zamak body, aluminium spool and sub-bases; technopolymer end-covers, joints NBR
Ports	valve = M5; manifold = M5 - tube Ø4; sub-base = G1/8
Temperature	0°C min + 50°C max
Fluid	filtered air (5 µm or lower), without lubricant; if lubricated air is used, it is recommended to use ISOVG32 oil. Once applied the lubrication should never be interrupted.
Solenoid voltage	see coding
Voltage tolerance	± 10%
Power consumption	1W
Class of insulation	class F
Protection class	IP50

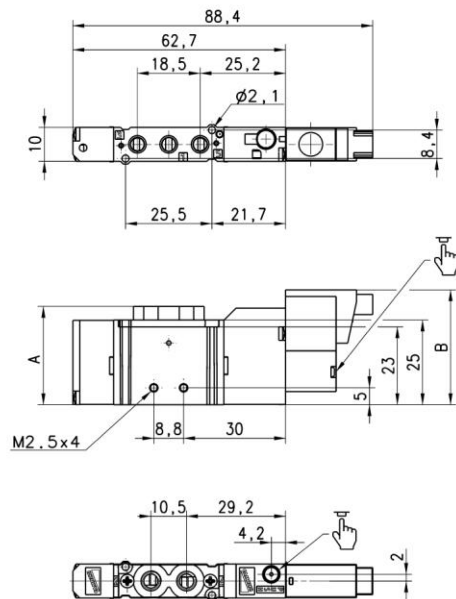
CODING EXAMPLE

E	5	2	1	-	11	-	10	-	K	1	3
----------	----------	----------	----------	----------	-----------	----------	-----------	----------	----------	----------	----------

E	SERIES
5	FUNCTION: 2 = 5/2 supply from the exhausts 5 = 5/2 6 = 5/3 Centres Closed 7 = 5/3 Centres Open 8 = 5/3 Centres in Pressure
2	SIZE: 2 = 10,5 mm
1	BODY TYPE: 1 = body with threaded plate
11	ACTUATION: 11 = electro-pneumatic, bistable 16 = electro-pneumatic, monostable 33 = pneumatic bistable - tube 3 36 = pneumatic monostable - tube 4 C33 = pneumatic bistable - tube 4 C36 = pneumatic monostable - tube 4
10	INTERFACE: 10
K	TYPE OF SOLENOID: K
1	SOLENOID DIMENSION: 1 = 10x10
3	SOLENOID VOLTAGE: 1 = 6V DC 2 = 12V DC 3 = 24V DC

Electropneumatically actuated valve, monostable - size 10,5

5/2-way



For solenoid valves with solenoid type K, use connector 121-8...

DIMENSIONS					
Mod.	A	Ports 1-3-5	Ports 2-4	working P. (bar)	Flow rate (NI/min)
E521-16-10-K10	29	M5	M5	2,5 ÷ 7	200

CODING EXAMPLE

E	5	2	0	-	11	-	10	-	K	1	3
----------	----------	----------	----------	----------	-----------	----------	-----------	----------	----------	----------	----------

E	SERIES:
5	FUNCTION: 2 = 5/2 supply from the exhausts 5 = 5/2 6 = 5/3 Centres Closed 7 = 5/3 Centres Open 8 = 5/3 Centres in Pressure
2	SIZE: 2 = 10,5 mm
0	BODY TYPE: 0 = body for sub-base
11	ACTUATION: 11 = electropneumatic bistable 16 = electropneumatic monostable 33 = pneumatic bistable - tube Ø 3 36 = pneumatic monostable - tube Ø 3 C33 = pneumatic bistable - tube Ø 4 C36 = pneumatic monostable - tube Ø 4
10	INTERFACE: 10
K	TYPE OF SOLENOID: K
1	SOLENOID DIMENSIONS: 1 = 10x10
3	SOLENOID VOLTAGE: 1 = 6V DC 2 = 12V DC 3 = 24V DC

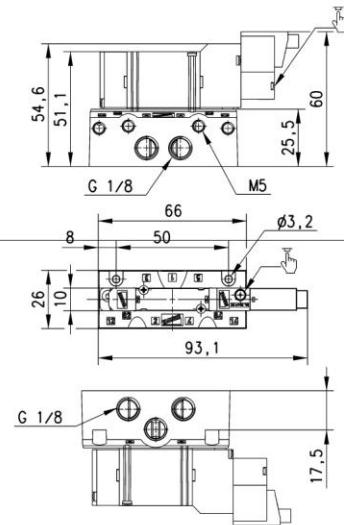
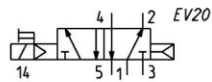
Electropneumatically actuated valve, monostable - size 10,5

5/2-way

In case of separate pilot supply, the pilot pressure should never be lower than the operating pressure.



The single base is ordered separately from the valve.


DIMENSIONS

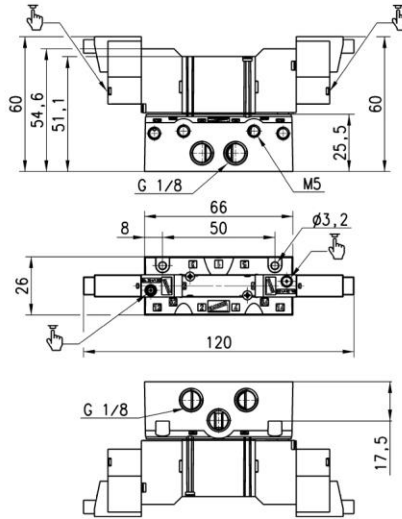
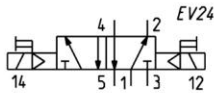
Mod.	working P. (bar)	Flow rate (NI/min)
E520-16-10-K10	2 ÷ 7	280

Electropneumatically actuated valve, bistable - size 10,5

5/2-way



The single base is ordered separately from the valve.



Mod.	working P. bar	Flow rate NI/min
E520-11-10-K10	2 ÷ 7	280

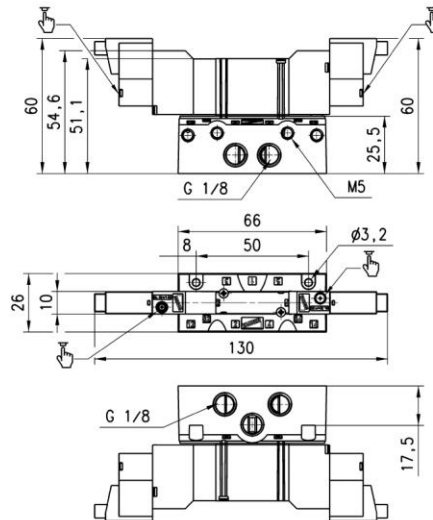
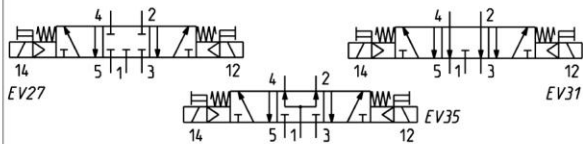
Electropneumatically actuated valve - size 10,5

5/3-way

- CC = Centres Closed
- CO = Centres Open
- CP = Centres in Pressure



The single base is ordered separately from the valve



Mod.	working P. bar	Flow rate NI/min	Symbol
E620-11-10-K10	2 ÷ 7	280	EV27
E720-11-10-K10	2 ÷ 7	280	EV31
E820-11-10-K10	2 ÷ 7	280	EV35

Torque for securing screws on manifolds and single sub-base

Mod.	Size (mm)	Torque (Nm)
E52...	10,5	0,3 ÷ 0,35

CODING EXAMPLE

E5	2	1	-	1	0	02
-----------	----------	----------	----------	----------	----------	-----------

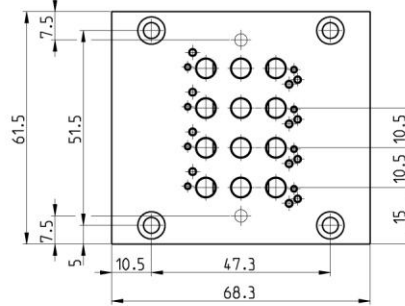
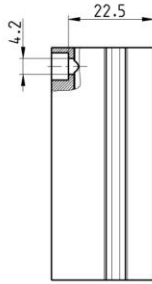
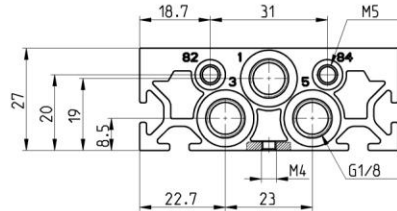
E5	SERIES
2	SIZE: 2 = size 10,5
1	BODY TYPE: 0 = body for sub-base assembly 1 = body with threads or tube port
1	TYPE OF SUB-BASE: 0 = single sub-base with side outlets 1 = manifold for threaded valve 2 = manifold for body mounted valve
0	PORTS: 0 = for valves with outlets on the body 1 = threaded C = tube 4
02	N° OF POSITIONS: 01 = single 03, 04, 06, 08, 10, 12 = multiple

NOTE: When constructing manifolds with 10 or more stations, it is recommended, in order to reduce the risk of pressure drop within the assembly, that pressure is supplied to port 1 at each end of the block. The exhaust ports 3 and 5 at each end should also be utilized (size 10,5 and 16 mm). The same provision should be made for 5 station manifolds of the 19 mm valves.
Manifolds complete with ports for external pilot supply are available on request.

Manifolds for valves with outlets on the body Size 10,5



The manifolds have been manufactured with common inlet and exhausts 3 and 5 (size G1). There are also common exhausts for pilots 82 and 84 (size G2). Manifolds with G3 ports are also supplied on request for external pilot supply.



Note: the manifolds are supplied complete with the seals and the valves, fixing screws.

DIMENSIONS

Mod.	Size	Nr positions	02	03	04	05	06	07	08	09	10	11	12
E521-10..	10,5	L1	40,5	51	61,5	72	82,5	93	103,5	114	124,5	135	145,5
E521-10..	10,5	L2	44	41	51,5	62	72,5	83	93,5	104	114,5	125	135,5

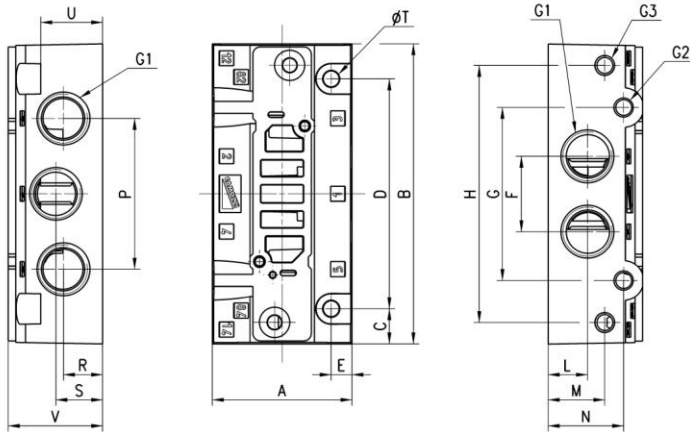
DIMENSIONS

Mod.	Size	G1	G2	G3	A	B	C	D	E	F	G	H	I	L	M	M1	N	O	P	R	S	T	U	V	Z
E521-10	10,5	G1/8	M5	M5	15	10,5	13,4	16,5	22	22	22,5	4,2	10,5	5	47,3	68,3	18,6	7,5	31	22,6	23	8,5	19	20	27

Single sub-base for base mounted valves - size 10,5



Note: The valve and its single sub-base are available on request.



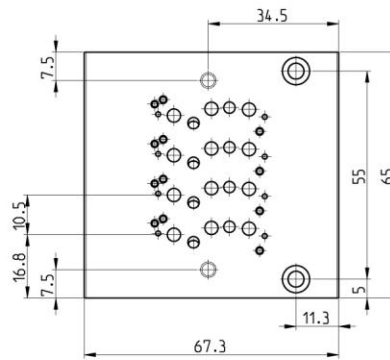
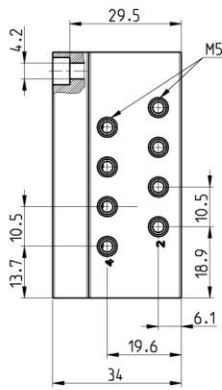
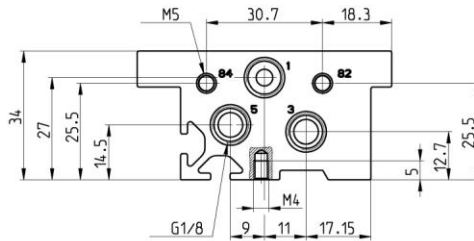
DIMENSIONS

Mod.	Size	G1	G2	G3	A	B	C	D	E	F	G	H	L	M	N	P	R	S	T	U	V
E520-0101	10,5	G1/8	M5	M5	26	66	8	50	4	15	37,3	57,3	8,2	17	18	24,5	8,2	17,2	32	17,5	25,5

Manifolds for base mounted valves size 10,5



The manifolds have been manufactured with common inlet 1 and exhaust 3 and 5 (see size G2). There are also common exhausts for pilots 82 and 84 (size G3). Manifolds with G4 ports are also supplied on request for external pilot supply.



DIMENSIONS

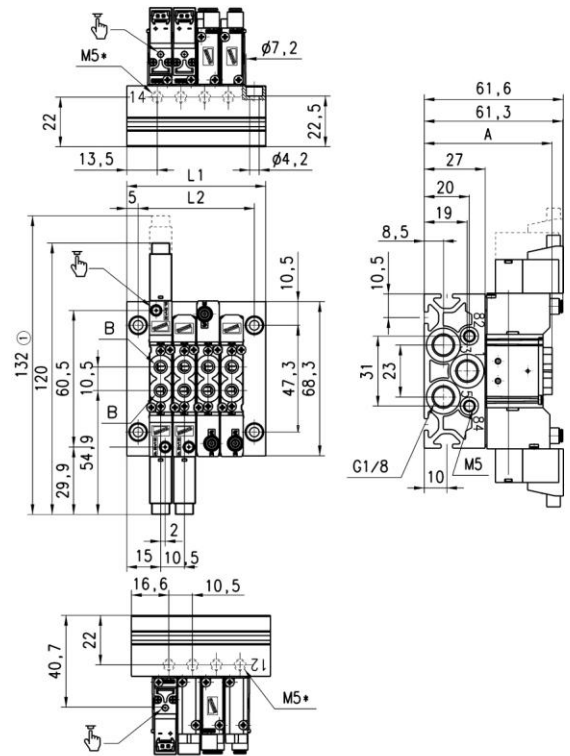
Mod.	Size	Nr positions	02	03	04	05	06	07	08	09	10	11	12
E520-21..	10,5	L1	44	54,5	65	75,5	86	96,5	107	117,5	128	138,5	149
E520-21..	10,5	L2	34	44,5	55	65,5	76	86,5	97	107,5	118	128,5	139
E520-2C..	10,5	L1	44	54,5	65	75,5	86	96,5	107	117,5	128	138,5	149
E520-2C..	10,5	L2	34	44,5	55	65,5	76	86,5	97	107,5	118	128,5	139

DIMENSIONS

Mod.	Size	G1	G2	G3	G4	A	B	C	D	E	F	G	H	I	L	M	M1	M2	N	O	P	Q	R	R1	S	S1	T	T1	U	V	W	Z
E520-21	10,5	M5	G1/8	M5	M5	16,7	10,5	18,8	13,6	6,1	19,6	29,5	42	18,3	5	-	67,3	11,3	18,3	15,2	30,7	29,5	22,6	14,5	9	27	11	12,7	25,5	34	7,5	34,5
E520-2C	10,5	4/2	G1/8	M5	M5	16,7	10,5	18,8	13,6	6,1	19,6	29,5	42	18,3	5	-	67,3	11,3	18,3	15,2	30,7	29,2	22,6	14,5	9	27	11	12,7	25,5	34	7,5	34,5

Manifolds with valves with outlets on the body - size 10.5

5/2 and 5/3, ports M5

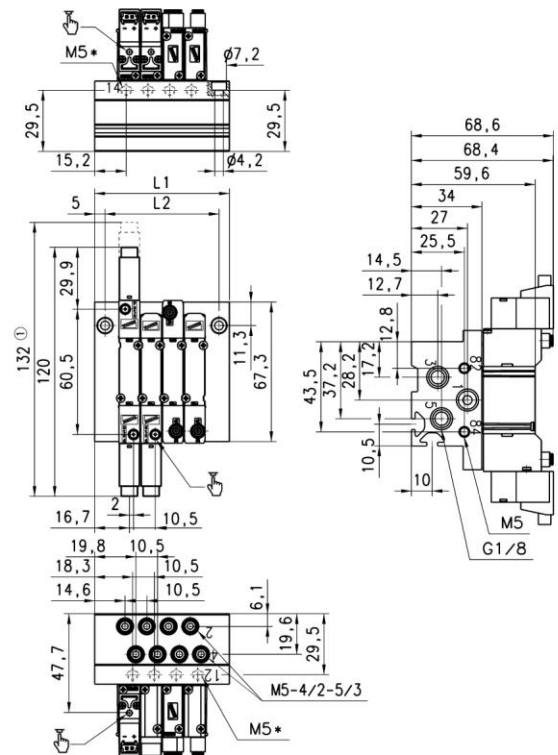


Ⓞ Size referred to 5/3 valve M5*
Separate pilot supply on request.

DIMENSIONS					
Mod.	A	B	L1 - L2 N° 1 Position	L1 - L2 N° 2 Positions	Fixed quote for position
E521	56,6	M5	40,5 - 30,5	51 - 41	10,5
E52C	65,1	4/2	40,5 - 30,5	51 - 41	10,5

Manifolds with valves for subbase - size 10.5

5/2 and 5/3



Ⓞ Size referred to 5/3 valve
M5* Separate pilot supply on request.

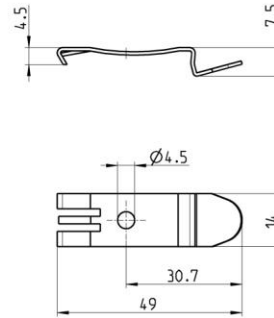
DIMENSIONS												
N° Positions	2	3	4	5	6	7	8	9	10	11	12	
L1	44	54,5	65	75,5	86	96,5	107	117,5	128	138,5	149	
L2	34	44,5	55	65,5	76	86,5	97	107,5	118	128,5	139	

Mounting brackets for DIN rail



DIN EN 50022 (7,5mm x 35mm - width 1)
Suitable for all manifolds.

Supplied with:
2x plates
2x screws M4x6 UNI 5931

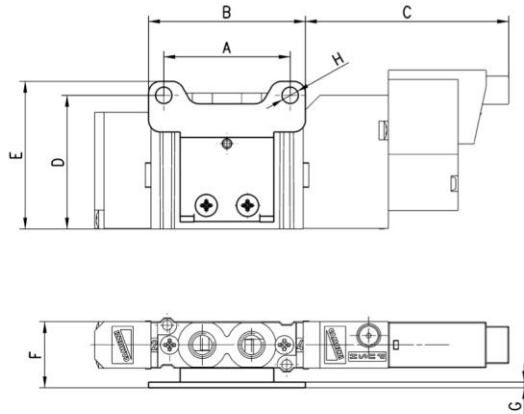


Mod.
PCF-E520

Horizontal mounting foot bracket for valves with outlets on the body



The following is supplied:
1x foot bracket
2x screws.



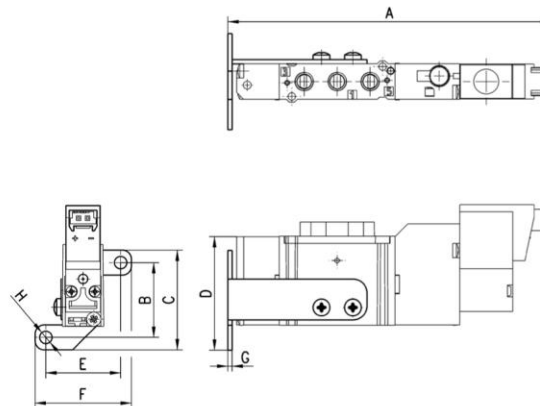
DIMENSIONS

Mod.	Size	A	B	C	D	E	F	G	H
B1-E521	10,5	27	33,5	43,4	28,5	31,5	14,2	1,2	3,5

Vertical mounting foot bracket for valves with outlets on the body



The following is supplied:
1x foot bracket
2x screws
Monostable valves only.

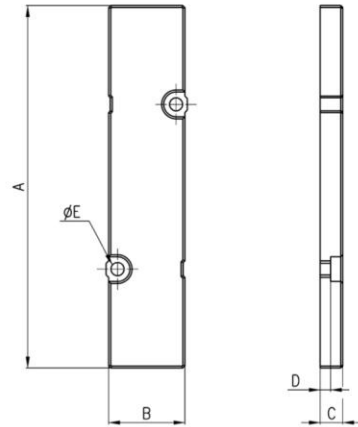


DIMENSIONS

Mod.	Size	A	B	C	D	E	F	G	H
B2-E521	10,5	90,8	21	28	31,9	21	27	1,2	3,5

Blanking plate for manifolds - valves with outlets on the body

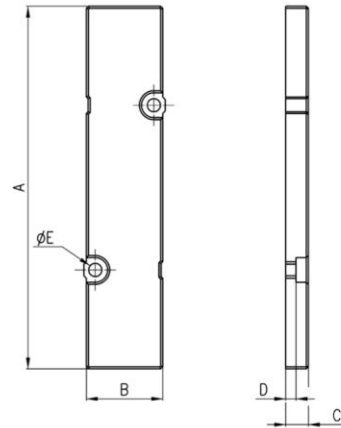

The following is supplied:
 1x blanking plate
 2x screws
 1x seal.



DIMENSIONS						
Mod.	Size	A	B	C	D	$\varnothing E$
TP-E521	10,5	66	10	6	3,5	2,1

Blanking plate for manifolds - base mounted valves

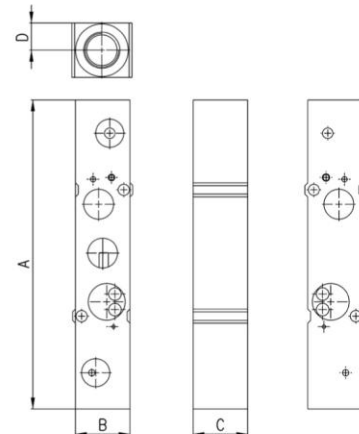

The following is supplied:
 1x blanking plate
 2x screws
 1x seal.



DIMENSIONS						
Mod.	Size	A	B	C	D	$\varnothing E$
TP-E520	10,5	66	10	6	3,5	2,1

Intermediate plate for valves to provide a separate supply in 1

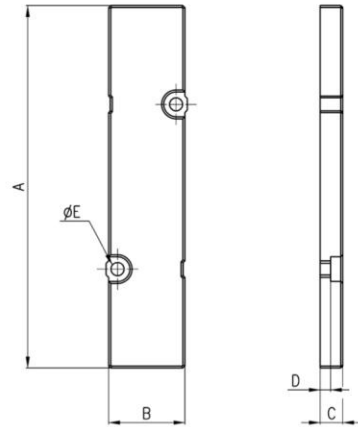

Base mounted valves.
 The following is supplied:
 1x plate
 2x screws
 1x interface seal
 2x O-Ring.



DIMENSIONS						
Mod.	Size	A	B	C	D	E
PCP-E521	10,5	72,5	10	10	5	M5

Blanking plate for manifolds - valves with outlets on the body

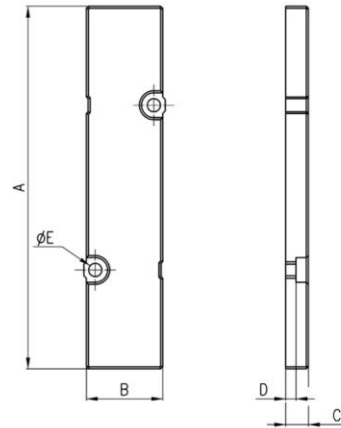

The following is supplied:
 1x blanking plate
 2x screws
 1x seal.



DIMENSIONS						
Mod.	Size	A	B	C	D	ϕE
TP-E521	10,5	66	10	6	3,5	2,1

Blanking plate for manifolds - base mounted valves

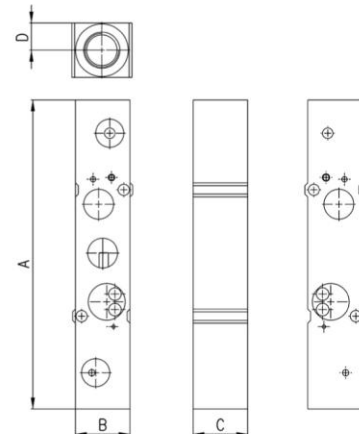

The following is supplied:
 1x blanking plate
 2x screws
 1x seal.



DIMENSIONS						
Mod.	Size	A	B	C	D	ϕE
TP-E520	10,5	66	10	6	3,5	2,1

Intermediate plate for valves to provide a separate supply in 1


Base mounted valves.
 The following is supplied:
 1x plate
 2x screws
 1x interface seal
 2x O-Ring.

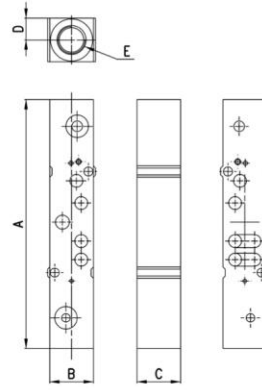


DIMENSIONS						
Mod.	Size	A	B	C	D	E
PCP-E521	10,5	72,5	10	10	5	M5

Intermediate plate for valves to provide a separate supply in 1



Base mounted valves.
The following is supplied:
1x plate
2x screws
1x interface seal
2x OR.

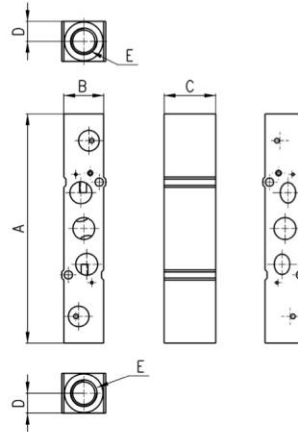


DIMENSIONS						
Mod.	Size	A	B	C	D	E
PCP-E520	10,5	72,5	10	10	5	M5

Intermediate plate for valves to provide separate supply in 3 and 5



Kits for valves with outlets on the body
Mod. E2*1-**.
The following is supplied:
1x plate
2x screws
1x interface seal
2x OR.

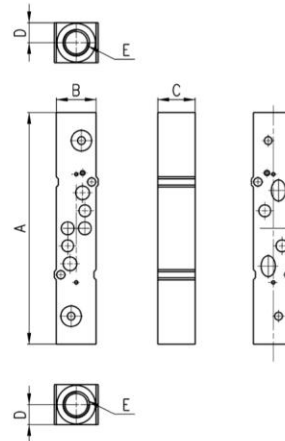


DIMENSIONS						
Mod.	Size	A	B	C	D	E
PCS-E521	10,5	76	10	10	5	M5

Intermediate plate for valves to provide separate supply in 3 and 5



Kits for valves mounted on sub-base
Mod. E2*0-**.
The following is supplied:
1x plate
2x screws
1x interface seal
2x OR.

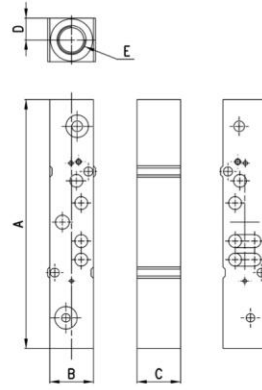


DIMENSIONS						
Mod.	Size	A	B	C	D	E
PCS-E520	10,5	76	10	10	5	M5

Intermediate plate for valves to provide a separate supply in 1



Base mounted valves.
The following is supplied:
1x plate
2x screws
1x interface seal
2x OR.

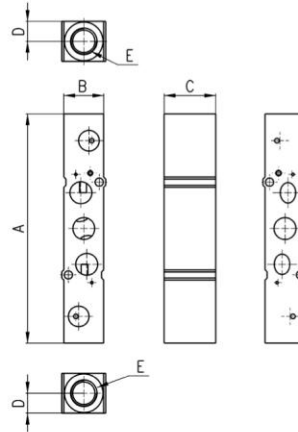


DIMENSIONS						
Mod.	Size	A	B	C	D	E
PCP-E520	10,5	72,5	10	10	5	M5

Intermediate plate for valves to provide separate supply in 3 and 5



Kits for valves with outlets on the body
Mod. E2*1-**.
The following is supplied:
1x plate
2x screws
1x interface seal
2x OR.

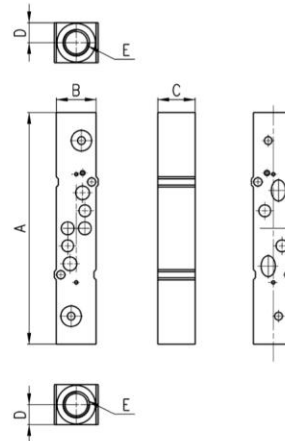


DIMENSIONS						
Mod.	Size	A	B	C	D	E
PCS-E521	10,5	76	10	10	5	M5

Intermediate plate for valves to provide separate supply in 3 and 5



Kits for valves mounted on sub-base
Mod. E2*0-**.
The following is supplied:
1x plate
2x screws
1x interface seal
2x OR.



DIMENSIONS						
Mod.	Size	A	B	C	D	E
PCS-E520	10,5	76	10	10	5	M5