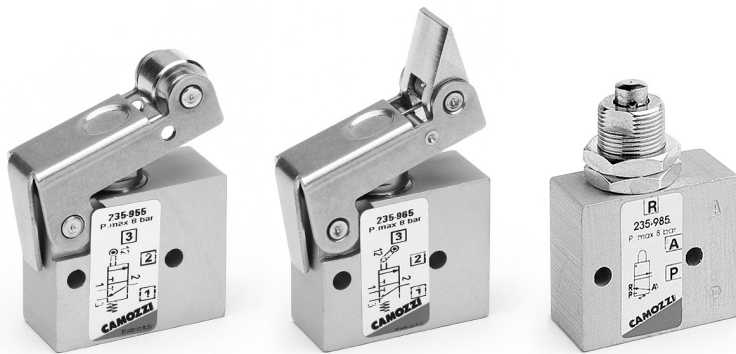


# Series 2 mechanically operated minivalves

3/2-way

Ports M5, cartridge  $\varnothing$  4



The mechanically operated Series 2 miniature valves with 3-way/2-position normally closed function are available with M5 threaded ports or with an integrated super-rapid fitting for  $\varnothing$  4mm tubes.

The devices are actuated by a plunger, roller/lever or a unidirectional lever.

## GENERAL DATA

|                           |  |
|---------------------------|--|
| <b>Construction</b>       | poppet type  |
| <b>Valve group</b>        | 3-way/2-position   |
| <b>Materials</b>          | aluminium body, brass plunger, NBR seals   |
| <b>Mounting</b>           | by means of screws in the through-holes of the valve body  |
| <b>Ports</b>              | M5, $\varnothing$ 4mm cartridge  |
| <b>Room temperature</b>   | 0°C + 60°C   |
| <b>Fluid temperature</b>  | 0°C + 50°C   |
| <b>Operating pressure</b> | 0 bar + 10 bar   |
| <b>Fluid</b>              | Filtered air, without lubrication. If lubricated air is used, it is recommended to use ISO VG32 oil. Once applied the lubrication should never be interrupted. |

**CODING EXAMPLE**

|          |          |          |          |           |          |
|----------|----------|----------|----------|-----------|----------|
| <b>2</b> | <b>3</b> | <b>4</b> | <b>-</b> | <b>94</b> | <b>5</b> |
|----------|----------|----------|----------|-----------|----------|

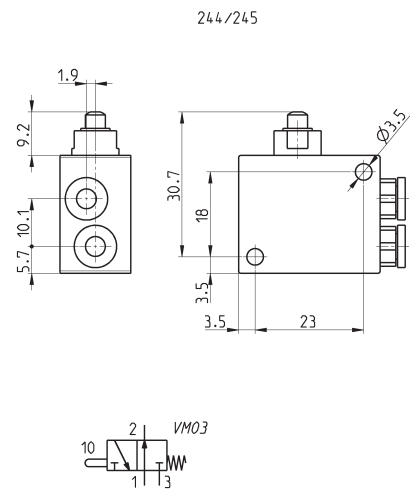
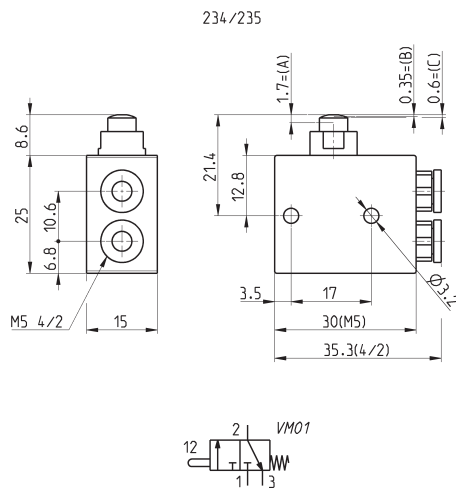
|           |   |
|-----------|---|
| <b>2</b>  | SERIES  |
| <b>3</b>  | FUNCTION<br>3 = 3/2-way NC<br>4 = 3/2-way NO  |
| <b>4</b>  | PORTS<br>4 = cartridge ø 4mm<br>5 = M5  |
| <b>94</b> | ACTUATION<br>94 = plunger<br>95 = lever/roller<br>96 = unidirectional lever<br>98 = plunger, panel mounting |
| <b>5</b>  | RESETTING<br>5= spring return   |

**Minivalves Mod. 234-945, 235-945, 244-945, 245-945**

Operating pressure from 0 to 10 bar - Flow rate = 100 NI/min - Actuating force at 6 bar = 6 N



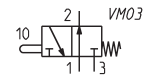
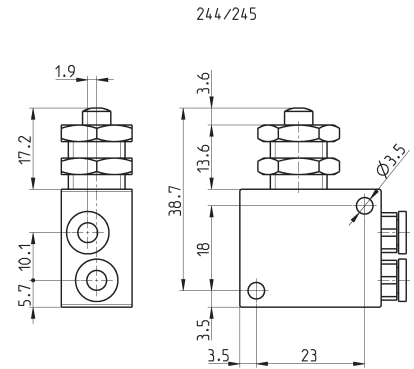
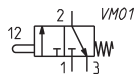
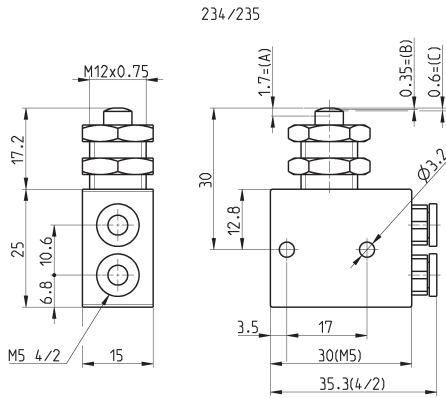
**DRAWING LEGEND**  
A = total stroke  
B = pre-stroke  
C = effective stroke



| Mod.           | SYMBOL |
|----------------|--------|
| <b>234-945</b> | VM01   |
| <b>235-945</b> | VM01   |
| <b>244-945</b> | VM03   |
| <b>245-945</b> | VM03   |

**Minivalves Mod. 234-985, 235-985, 244-985, 245-985**

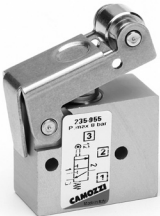
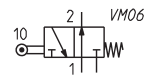
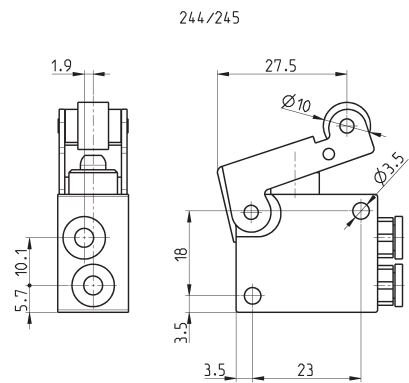
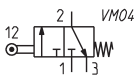
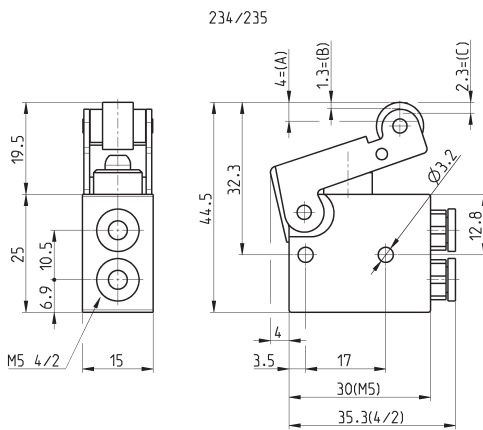
Operating pressure from 0 to 10 bar - Flow rate = 100 NI/min - Actuating force at 6 bar = 6 N


**DRAWING LEGEND**  
 A = total stroke  
 B = pre-stroke  
 C = effective stroke


| Mod.    | SYMBOL |
|---------|--------|
| 234-985 | VM01   |
| 235-985 | VM01   |
| 244-985 | VM03   |
| 245-985 | VM03   |

**Minivalves Mod. 234-955, 235-955, 244-955, 245-955**

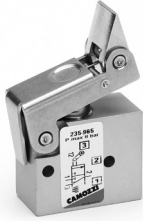
Operating pressure from 0 to 10 bar - Flow rate = 100 NI/min - Actuating force at 6 bar = 6 N


**DRAWING LEGEND**  
 A = total stroke  
 B = pre-stroke  
 C = effective stroke


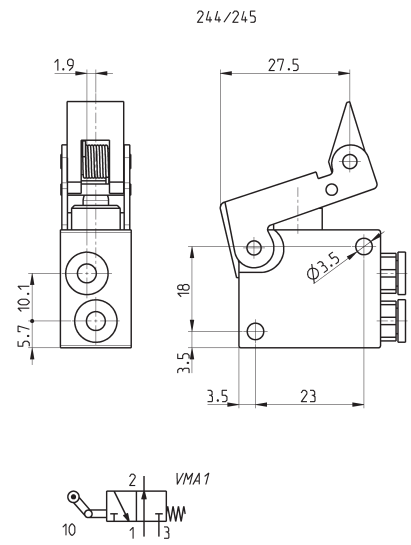
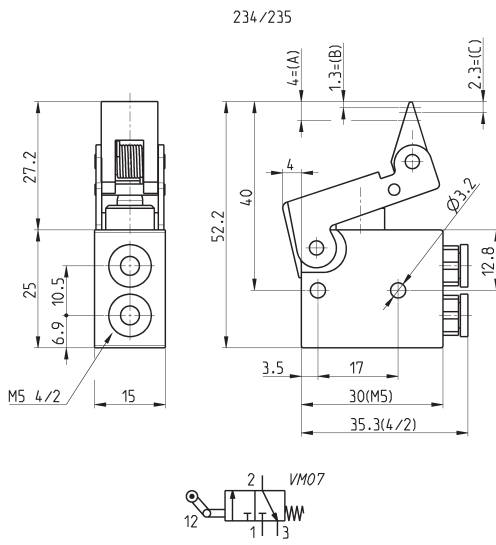
| Mod.    | SYMBOL |
|---------|--------|
| 234-955 | VM04   |
| 235-955 | VM04   |
| 244-955 | VM06   |
| 245-955 | VM06   |

Minivalves Mod. 234-965, 235-965, 244-965, 245-965

Operating pressure from 0 to 10 bar - Flow rate = 100 NI/min - Actuating force at 6 bar = 6 N



**DRAWING LEGEND**  
 A = total stroke  
 B = pre-stroke  
 C = effective stroke



| Mod.    | SYMBOL |
|---------|--------|
| 234-965 | VM07   |
| 235-965 | VM07   |
| 244-965 | VMA1   |
| 245-965 | VMA1   |