

Mechanically operated sensor valves Series 3 and 4

3/2 and 5/2-way
Ports G1/8, G1/4



In order to facilitate the use of limit switch valves in applications where very low actuating forces and high flow rates are required, the Series 3 and Series 4 valves are equipped with new mechanical devices designed for this purpose. The Series 3 valve is designed with a mechanical lever which when operated releases an internal pilot signal to atmosphere. The sensitivity can be increased by adding a "whisker" or rod of \varnothing 3 mm to the lever.

GENERAL DATA

Construction	spool-type (servocontrolled)
Valve group	3/2, 5/2 way/pos.
Materials	aluminium body, stainless steel spool, NBR seals
Ports	G1/8, G1/4
Ambient temperature	0°C + 60°C
Medium temperature	0°C + 50°C
Operating pressure	see models
Fluid	Filtered air, without lubrication. If lubricated air is used, it is recommended to use ISO VG32 oil. Once applied the lubrication should never be interrupted.

CODING EXAMPLE

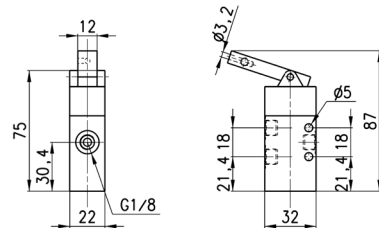
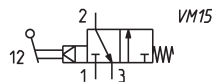
3	3	8	-	D15	-	9A5
----------	----------	----------	----------	------------	----------	------------

3	SERIES: 3 4
3	FUNCTION: 3 = 3/2-way NC 4 = 3/2-way NO 5 = 5/2-way
8	PORTS: 8 = G1/8 4 = G1/4
D15	ACTUATION: D15 = pressure drop/spring 015 = pressure/spring 011 = pressure/pressure
9A5	DEVICES: 9A5 = lever sensor, spring return 194 = plunger sensor, spring return 294 = plunger sensor, bistable 195 = lever/roller, spring return 295 = lever/roller, bistable

Valve

Operating pressure = 4 ÷ 10 bar.
Flow rate = 700 NI/min.
Actuating force at 6 bar = 2N

The function of the valve is indicated by the symbol when operating between 4 and 10 bar.

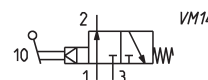
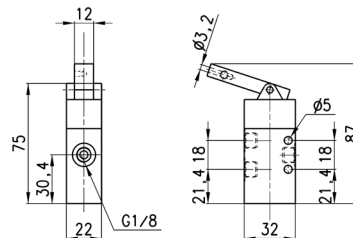


Mod.
338-D15-9A5

Valve

Operating pressure = 4 ÷ 10 bar
 Flow rate = 700 NI/min
 Actuating force at 6 bar = 2N

The function of the valve is indicated by the symbol when operating between 4 and 10 bar.



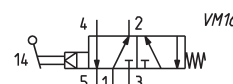
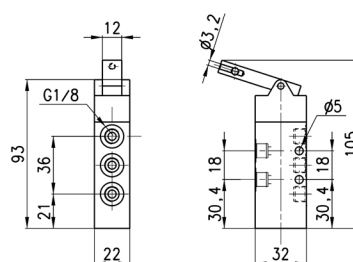
Mod.

348-D15-9A5

Valve

Operating pressure = 4 ÷ 10 bar
 Flow rate = 700 NI/min
 Actuating force at 6 bar = 2N

The function of the valve is indicated by the symbol when operating between 4 and 10 bar.



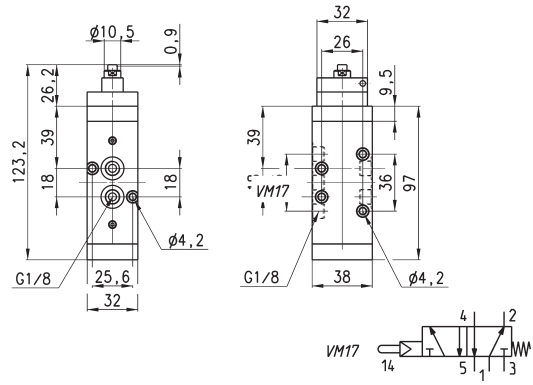
Mod.

358-D15-9A5



Valve

Operating pressure = 2.5 ÷ 8 bar
 Flow rate = 650 NI/min.
 Actuating force at 6 bar = 6 N

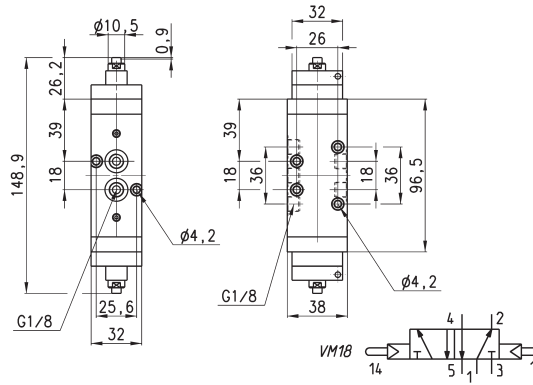


Mod.
 458-015-194



Valve

Operating pressure = 2 ÷ 8 bar
 Flow rate = 650 NI/min
 Actuating force at 6 bar = 6 N

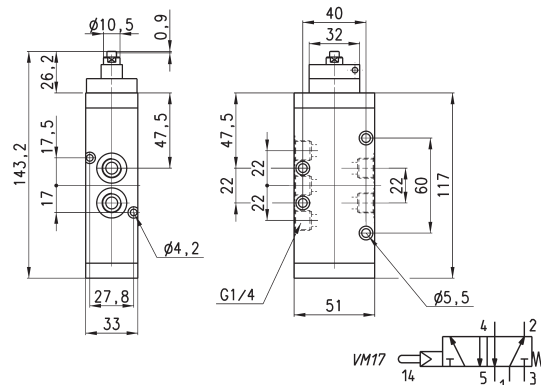


Mod.
 458-011-294



Valve

Operating pressure = 2.5 ÷ 8 bar
 Flow rate = 1250 NI/min
 Actuating force at 6 bar = 6 N

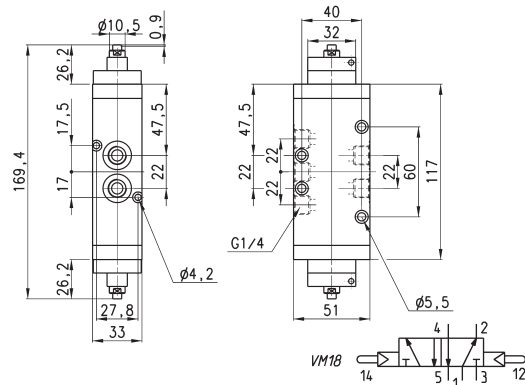


Mod.
 454-015-194



Valve

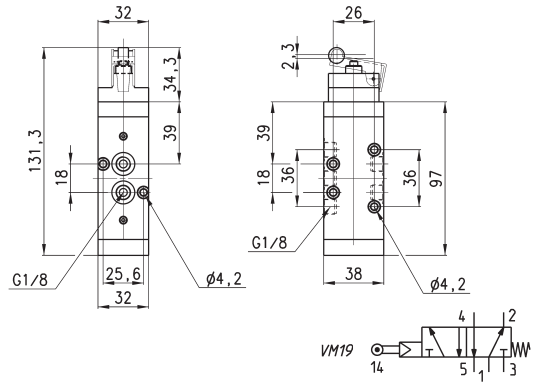
Operating pressure: 2 ÷ 8 bar
 Flow rate = 1250 NI/min
 Actuating force at 6 bar = 6 N



DIMENSIONS
 Mod.
 454-011-294


Valve

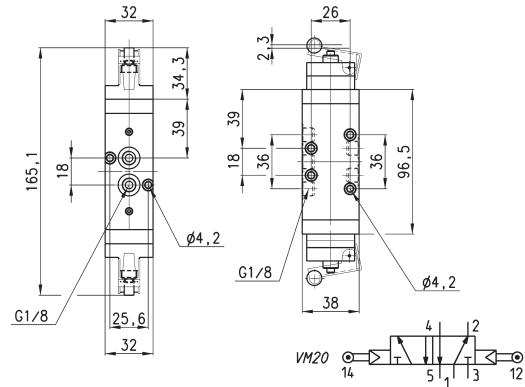
Operating pressure = 2.5 ÷ 8 bar
 Flow rate = 650 NI/min
 Actuating force at 6 bar = 4 N



Mod.
458-015-195


Valve

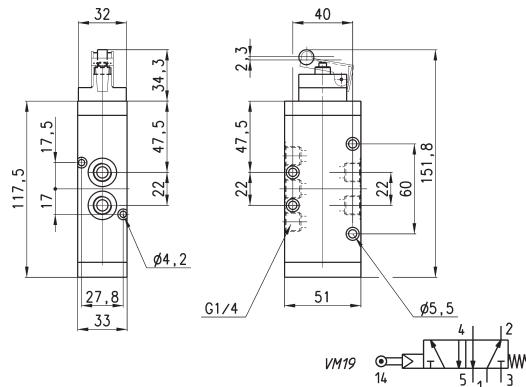
Operating pressure = 2 ÷ 8 bar
 Flow rate = 650 NI/min
 Actuating force at 6 bar = 4 N



DIMENSIONS
 Mod.
458-011-295


Valve

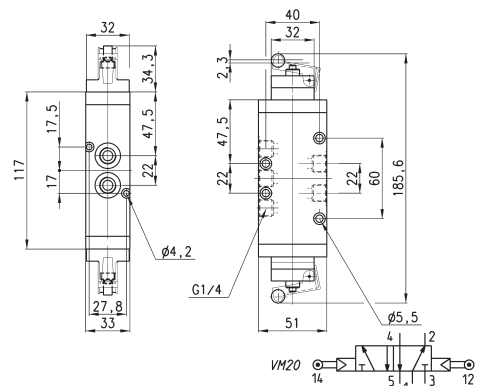
Operating pressure = 2.5 ÷ 8 bar
 Flow rate = 1250 NI/min.
 Actuating force at 6 bar = 4 N



Mod.
454-015-195


Valve

Operating pressure = 2 ÷ 8 bar
 Flow rate = 1250 NI/min
 Actuating force at 6 bar = 4 N



Mod.
454-011-295