

# Filter-regulators Series MC

Ports G1/4, G3/8 and G1/2  
Modular  
Metal bowl and bayonet-type mounting



The filter regulators Series MC are available with ports G1/4, G3/8 and G1/2. They combine the features of the filters and regulators and have smaller overall dimensions than the two separate components.

## GENERAL DATA

<b>Construction</b>	compact modular with filtering element in HDPE - diaphragm type			
<b>Materials</b>	zama, NBR, technopolymer			
<b>Ports</b>	G1/4	G3/8	G1/2	
<b>Condensate capacity</b>	cm <sup>3</sup>	28	72	72
<b>Weight</b>	kg	0,443	0,948	0,928
<b>Pressure gauge ports</b>	G1/8			
<b>Mounting</b>	vertical in-line or wall-mounting			
<b>Operating temperature</b>	-5°C + 50°C at 10 bar (with the dew point of the fluid lower than 2°C at the min. working temperature)			
<b>Porosity of filtering element</b>	25 µm standard - 5 µm upon request			
<b>Draining of condensate</b>	manual - semi-automatic standard			
<b>Finishing</b>	enamelled			
<b>Inlet pressure</b>	with standard drain and protected depressurisation 0,3 + 16 bar with depressurisation 0,3 + 10 bar with automatic drain 1,5 + 12 bar for G3/8 and G1/2			

**CODING EXAMPLE**

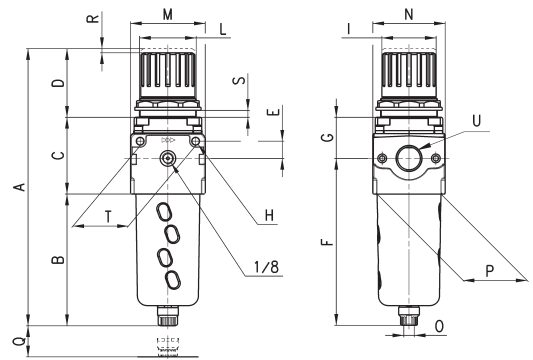
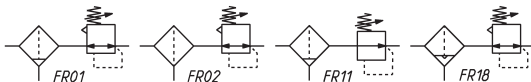
<b>MC</b>	<b>2</b>	<b>02</b>	<b>-</b>	<b>D</b>	<b>0</b>	<b>0</b>	<b>-</b>	<b>4</b>
-----------	----------	-----------	----------	----------	----------	----------	----------	----------

<b>MC</b>	SERIES
<b>2</b>	SIZE: 1 = G1/4 2 = G3/8 - G1/2
<b>02</b>	PORTS: 04 = G1/4 38 = G3/8 02 = G1/2
<b>D</b>	D = FILTER-REGULATOR
<b>0</b>	FILTERING ELEMENT: 0 = 25µm (standard) 1 = 5µm
<b>0</b>	DRAINING OF CONDENSATE: 0 = manual semiautomatic, self-relieving 1 = manual semiautomatic, non relieving 3 = automatic, self-relieving (only for G3/8 and G1/2) 4 = depressurisation, self-relieving (only G1/4) 5 = depressurisation, protected, self-relieving 8 = no drain, port G1/8, self-relieving For condensate drains see the section 3/5.10
<b>4</b>	WORKING PRESSURE = 0,5 + 10 2 = 0 + 2 (only G1/4) 4 = 0 + 4 7 = 0,5 + 7 (only G1/4)

**Filter-regulators Series MC**

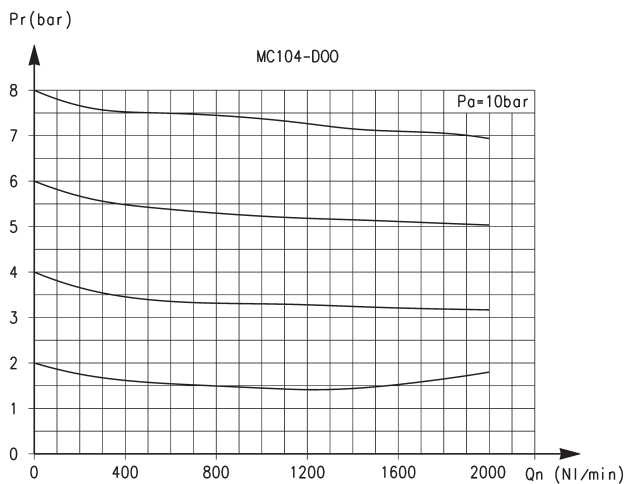


FR01 = filter-regulator with relieving and manual drain  
 FR02 = FR with relieving and without drain  
 FR11 = FR with manual drain and without relieving  
 FR18 = FR with relieving and automatic drain



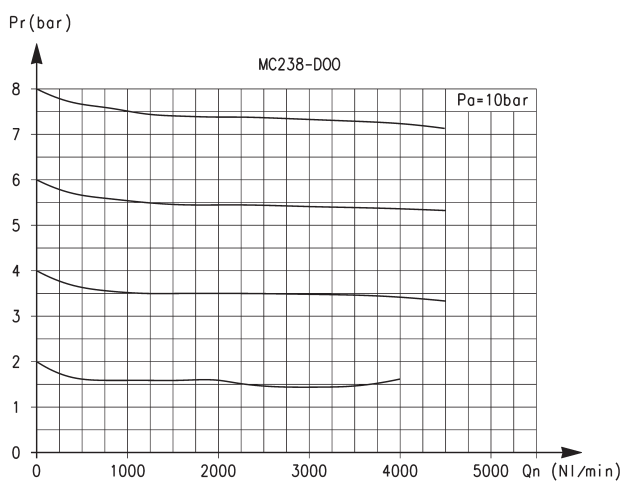
DIMENSIONS																			
Mod.	A	B	C	D	E	F	G	H	I	L	M	N	O	P	Q	R	S	T	U
<b>MC104-D00</b>	190,5	102	52	38	11	126,5	27,5	4,5	28	M30x1,5	45	45	G1/8	37	58	3	0 + 6	35	G1/4
<b>MC238-D00</b>	256,5	133	64	59	14	162	35	5,5	45	M47x1,5	62	59	G1/8	53	72	3,5	0 + 9	46	G3/8
<b>MC202-D00</b>	256,5	133	64	59	14	162	35	5,5	45	M47x1,5	62	59	G1/8	53	72	3,5	0 + 9	46	G1/2

FLOW DIAGRAMS



Flow diagram for model: MC104-D00

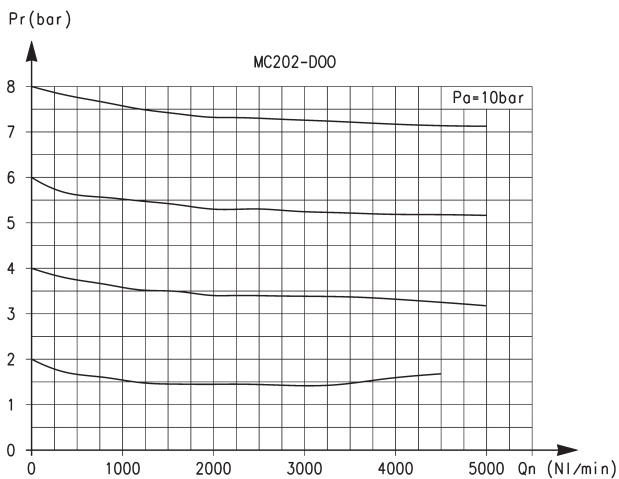
Pa = Inlet pressure  
Pr = Regulated pressure  
Qn = Flow



Flow diagram for model: MC238-D00

Pa = Inlet pressure  
Pr = Regulated pressure  
Qn = Flow

FLOW DIAGRAM



Flow diagram for model: MC202-D00

Pa = Inlet pressure  
Pr = Regulated pressure  
Qn = Flow