

Pressure regulators Series MC

Ports G1/4, G3/8 and G1/2
Modular



The Series MC pressure regulators are available with ports G1/4, G3/8 and G1/2. Versions with secondary pressure relieving are usually available and all regulators can be panel mounted.

GENERAL DATA

Construction	modular, compact, diaphragm type			
Materials	zama, brass, NBR, technopolymer			
Ports	G1/4	G3/8	G1/2	
Weight	kg	0,323	0,644	0,624
Pressure gauge ports	G1/8			
Mounting	in-line, wall or console mounting (in any position)			
Operating temperature	-5°C ÷ 50°C (with the dew point of the fluid lower than 2°C at the min. working temperature)			
Finishing	enamelled			
Inlet pressure	0 ÷ 16 bar			
Outlet pressure	0.5 ÷ 10 bar or 0 ÷ 4 bar			
Nominal flow	see graph			
Secondary pressure relieving	standard			

CODING EXAMPLE

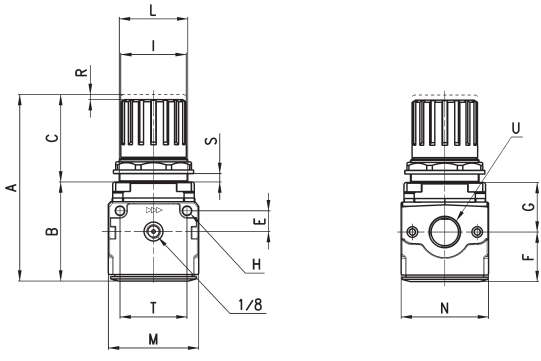
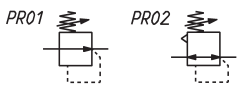
MC	2	02	-	R	0	0
-----------	----------	-----------	----------	----------	----------	----------

MC	SERIES
2	SIZE: 1 = G1/4 2 = G3/8 - G1/2
02	PORTS 04 = G1/4 38 = G3/8 02 = G1/2
R	R = REGULATOR
0	OPERATING PRESSURE: 0 = 0,5 + 10 (standard) 1 = 0 + 4 2 = 0 + 2 (only G1/4) 7 = 0,5 + 7 (only G1/4)
0	DESIGN TYPE: 0 = self-relieving (standard) 1 = non-relieving 5 = precise relieving

Pressure regulators Series MC



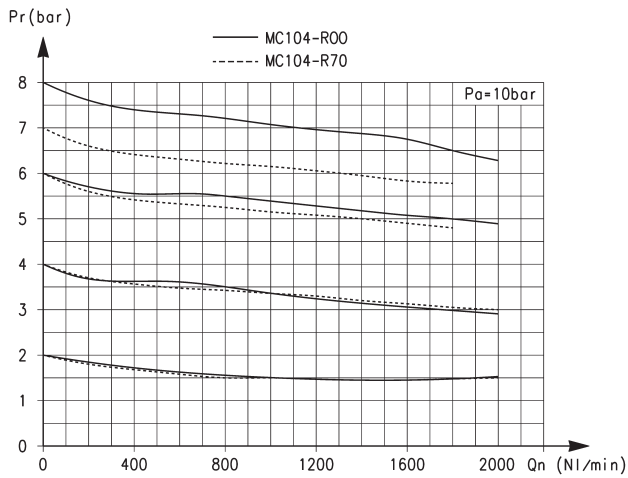
PR01 = regulator without relieving
PR02 = regulator with relieving



DIMENSIONS																
Mod.	A	B	C	E	F	G	H	I	L	M	N	R	S	T	U	
MC104-R00	94	56	38	11	28,5	27,5	4,5	28	30X1,5	45	45	3	0+6	35	G1/4	
MC238-R00	127	67	60	14	34	35	5,5	45	47X1,5	62	60	3,5	0+9	46	G3/8	
MC202-R00	127	67	60	14	34	35	5,5	45	47X1,5	62	60	3,5	0+9	46	G1/2	

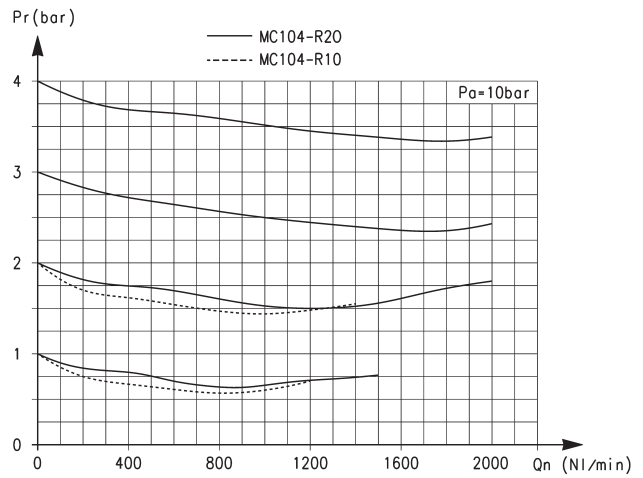
Products designed for industrial applications.
General terms and conditions for sale are available on www.camozzi.com.

FLOW DIAGRAMS



Flow diagrams for models: MC104-R00 and MC104-R70

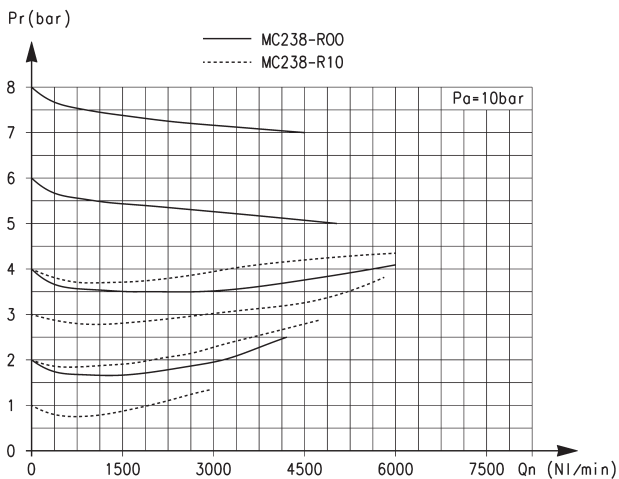
P_a = Inlet pressure
 P_r = Regulated pressure
 Q_n = Flow



Flow diagrams for models: MC104-R10 and MC104-R20

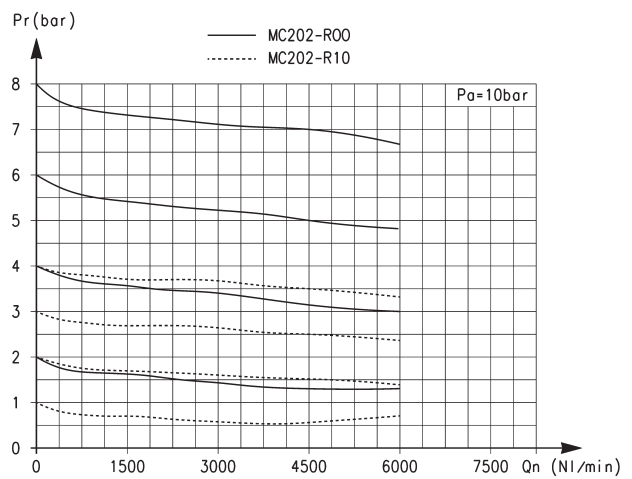
P_a = Inlet pressure
 P_r = Regulated pressure
 Q_n = Flow

FLOW DIAGRAMS



Flow diagrams for models: MC238-R00 and MC238-R10

P_a = Inlet pressure
 P_r = Regulated pressure
 Q_n = Flow



Flow diagrams for models: MC202-R00 and MC202-R10

P_a = Inlet pressure
 P_r = Regulated pressure
 Q_n = Flow